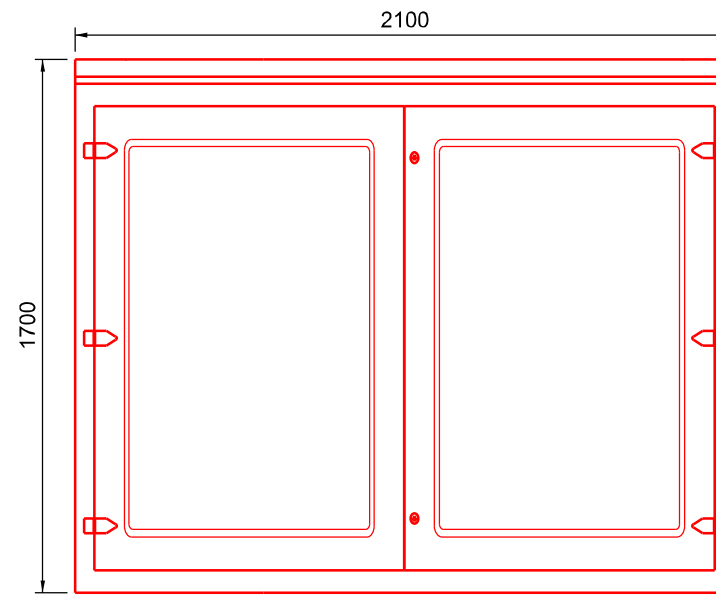
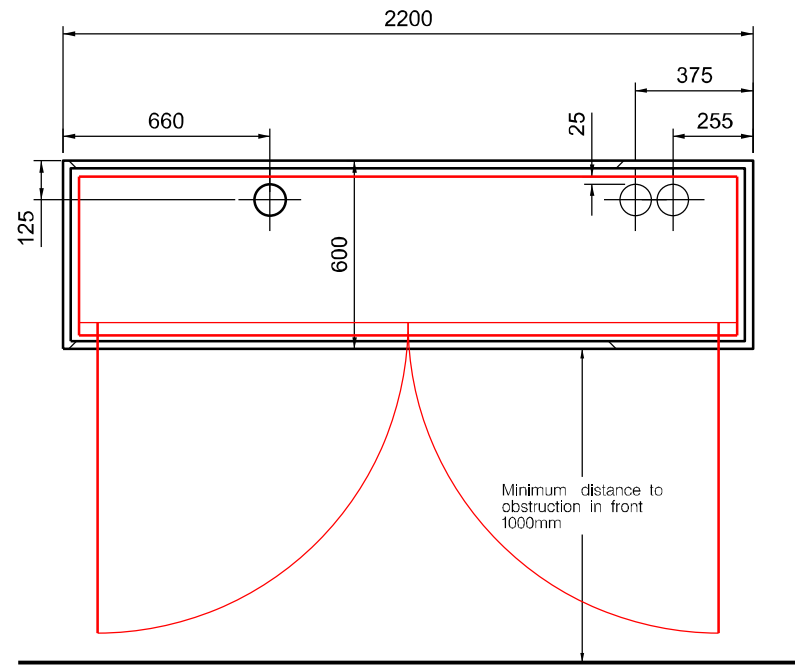


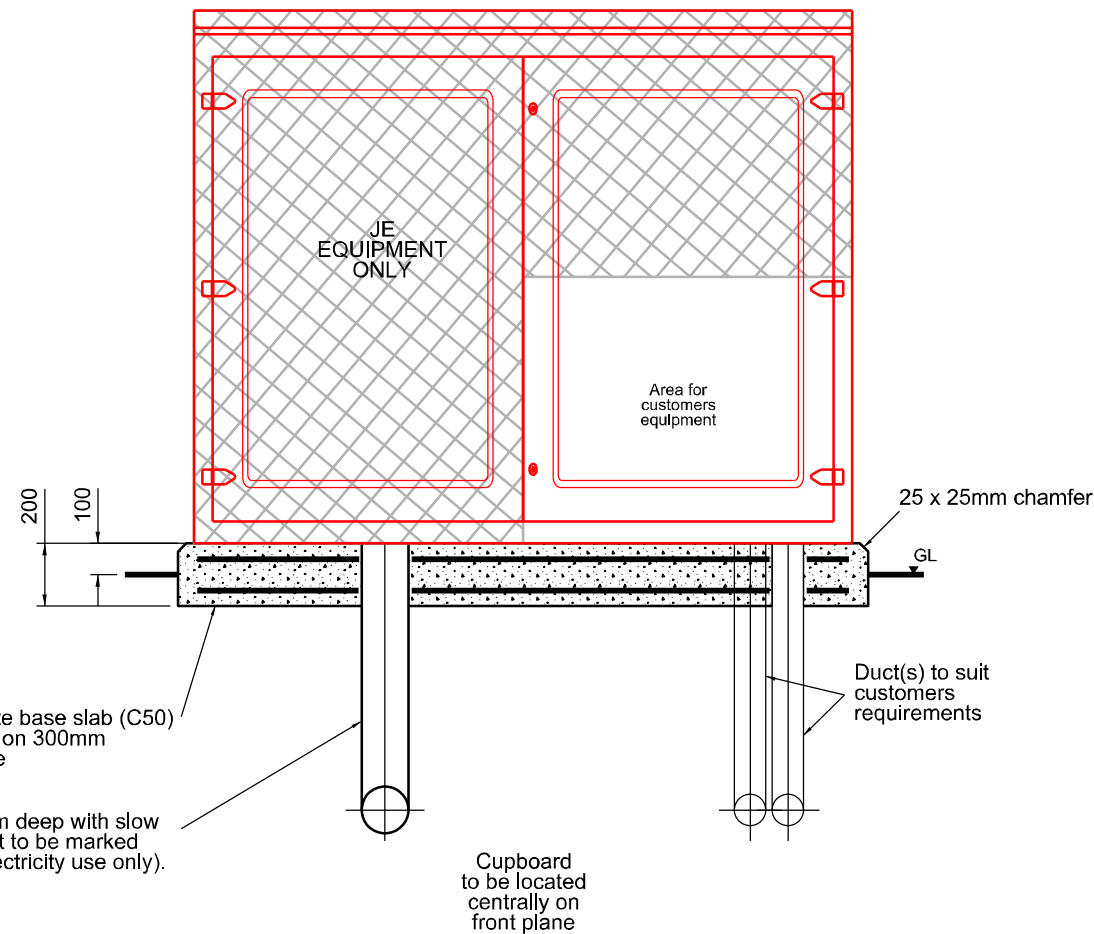
NOTES

**Requirements:**

- Minimum internal depth 550mm
  - Door frame to provide a rain proof seal
  - Approved lock to be fitted
  - 16mm Plywood backboard to be in good condition and may be encased in a layer of fiberglass
  - Duct to be flush with top of slab
  - All access holes for ducts to be cut neatly with hole saw, in line with duct. Minimum dimensions from hole to rear of cupboard 25mm
  - Duct for customer cable to be installed as indicated flush to bottom of box away from the location of Jersey Electricity equipment
  - Cupboard to be securely fixed to plinth
  - Ownership and maintenance is the responsibility of the customer
  - The cupboard can, may be manufactured in any colour
- Available from Rosden Ltd.  
at La Collette



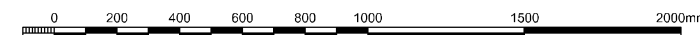
Depth : 700mm



200mm reinforced concrete base slab (C50) with x2 layers A142 fabric on 300mm well consolidated hardcore

150mm Dia duct at 700mm deep with slow bend up to slab level. Duct to be marked "Electricity" (for Jersey Electricity use only).

Cupboard to be located centrally on front plane



Rev	Date	Description	Drm	App
-----	------	-------------	-----	-----

The Intellectual Property Rights (IPR) i.e. Patents, Copyright, Trade Secrets, Design Rights etc., remain strictly the property of Jersey Electricity Company plc and may not be copied and /or reproduced in any form without their 'Express Permission'.



Jersey Electricity plc

The Powerhouse PO Box 45 Queen's Road St. Helier Jersey JE4 8NY.  
Tel - 01534 505000 Fax - 01534 505011 e-mail - jec@jec.co.uk

Project **Freestanding GRP Meter Cupboard for a 200 / 400 Amp Industrial Service to be used in Conjunction with Drawings 205-N21-6 or 206-N21-6**

Title **Cupboard And Plinth Construction Details**

Scale 1:25@A3	Date 25-08-2023	Drawn TSB	Approved ML
------------------	--------------------	--------------	----------------

Drg. No. <b>026-R21-8</b>	Revision -
------------------------------	---------------